

# ALTAIR 8800 .....

## ..... THEORY of OPERATION MANUAL & SCHEMATICS .....

### TABLE OF CONTENTS

INTRODUCTION .....	2
CPU BOARD OPERATION .....	3
DISPLAY/CONTROL BOARD OPERATION .....	5
1K STATIC MEMORY BOARD OPERATION .....	7
POWER SUPPLY OPERATION .....	9
8800 SYSTEM BUS STRUCTURE .....	10
SCHEMATICS	

© MITS, Inc., 1975

PRINTED IN U.S.A.

**MITS** INC.  
"Creative Electronics"

P.O. BOX 8636  
ALBUQUERQUE, NEW MEXICO 87108

## INTRODUCTION

The ALTAIR 8800 computer system is designed around Intel's 8080 microprocessor. The Intel 8080 is a complete central processing unit (CPU) on a single LSI chip using n-channel silicon gate MOS technology. This chip uses a separate 16-line address and 8-line bidirectional data bus configuration to greatly simplify design.

The ALTAIR 8800 uses a 100 line bus structure for data transfer between the CPU and memory or I/O devices. This bus structure contains all of the data and address lines, along with the unregulated supply voltages and all control and status signal lines. Cards other than the CPU will have control of the bus only when addressed by the CPU.

The schematic diagrams for the ALTAIR system are located at the end of this section. Specific schematics will be referred to in each particular section of the theory of operation.

On the schematics for each particular board components are identified by letters for the integrated circuits (A, B, C, etc.), and letters and numbers for the resistors and capacitors (R1, R2, C1, C2, etc.). Specific pins on the IC's are identified by numbers external to the symbol for that particular IC. The boxed numbers next to signal lines with arrows that exit or enter a given schematic refer to the bus number for those signals. Other notations on the schematics are self-explanatory.

## CPU BOARD OPERATION

The 8800 CPU Board is the "heart" of the ALTAIR system. This board contains the 8080 microprocessor chip, bus drivers, the system clock, miscellaneous gating logic and the system status latch.

Refer to the following schematics for the CPU Board operation: 880-101, 880-102 and 880-103.

### BUS DRIVERS

All signals entering or leaving the CPU Board are buffered using 8T97 tri-state drivers. These signals include: 16 address lines through IC's B, C and 4 gates of D; 8 data output lines through IC E and 2 gates of D; 8 data input lines through IC F and 2 gates of H.

The terms "in" and "out" are always defined with respect to the processor. Note that the 8080 bidirectional bus is split at the processor into an input and an output data bus.

The address and data out drivers (IC's B, C, D and E) can be disabled using the ADDR DSBL and DO DSBL bus signals through 2 of the gates of IC M. The data in drivers (IC F and 2 gates of H) are enabled under control of the processor through one gate of IC R, etc. (see schematic).

The 8 status output signals are buffered using 8T97's (4 gates of G and 4 gates of H). These signals are SINTA, SWO, SSTACK, SHLTA, SOUT, SMI, SINP, and SMEMR. The STATUS DSBL signal can be used to disable these outputs.

The 6 command/control output signals are also buffered using an 8T97 (IC J). These signals are SYNC, DBIN, WAIT, WR, HLDA, and INTE. The C/C DSBL signal can be used to disable these outputs.

The 4 command/control input signals (READY, HOLD, INT and RESET) are buffered using 4 gates of the 8T97 IC I. Note that the PRDY and PHOLD signals are synchronized to the leading edge of the Q2 clock. This is required since the transition of either of these signals during the second half of Q2 will cause the processor to enter an undefined state.

## SYSTEM CLOCK

The ALTAIR 8800 system clock employs a standard TTL oscillator (IC P) with a 2.000 MHz crystal as the feedback element. The correct pulse widths and separations for the two phases are obtained using the dual single-shots (IC Q) and the delay circuit (R43 and C6). The 8080 processor requires a 12 volt swing on the clock. This is accomplished using a 7406 driver (IC N). TTL clock levels are sent to the system bus using 8T97 drivers (2 gates of IC I). The  $\overline{\text{CLOC}}$  signal is sent to the system bus through one gate of the 8T97 IC G.

## GATING LOGIC

The only external gating logic on the CPU Board consists of IC O (3 gates) and IC R (1 gate). If we define the output on IC O pin 13 to be G1 ENB (Data Input Enable), then:

$$\text{G1 ENB} = (\text{DBIN} + \text{HLDA}) \bullet (\text{RUN} + \text{SS}) *$$

Further, if we define  $\text{G1 DSB} = \overline{\text{G1 ENB}}$ ; then the output of IC R pin 8, which is the disable input for the input data drivers, is:

$$\text{DI DSB} = \text{G1 DSB} + \text{SSW DSB}$$

G1 DSB, as can be seen from the schematic, is a processor generated signal. When the 8080 is ready for input data, it will allow G1 DSB to go low thus enabling the input data drivers.

$\overline{\text{SSW DSB}}$  is a signal generated on the Display/Control Board. This signal is used to disable the input data drivers when an input from the sense switches (device address 377<sub>8</sub>) takes place.\*\* This is necessary since the sense switch inputs are tied directly to the bidirectional data bus at the processor.

## SYSTEM STATUS LATCH

The system status latch consists of IC K (8212). At the start of each machine cycle the processor places the system status on the bidirectional data bus. When SYNC and Q1 are coincident, this data is latched by IC K and remains latched for the remainder of the machine cycle.

\*In these notations, + means or, and • means and.

\*\*This address is listed in octal format. It is the same as the decimal address "255" listed in the assembly manual.

## DISPLAY/CONTROL BOARD OPERATION

The 8800 Display/Control Board provides the operator with RUN/STOP and Single Step control of the processor. It also allows him to examine and modify the contents of any location in memory using the front panel switches.

Refer to the following schematics for the Display/Control Board operation: 880-104, 880-105 and 880-106.

The primary function of the D/C Board is controlling the ready line (PRDY), or a combination of the PRDY and the bidirectional data bus, to allow the above functions to be performed. Control of the PRDY line is exercised at IC 0 (7430). The output of IC 0 pin 8 (PRDY) logically appears:

$$\text{PRDY} = \text{RUN} + \text{SS} + \text{EXM} + \text{EXM NXT} *$$

For the ready line to be released one of these inputs to IC 0 must go high. The circuitry preceding IC 0 will insure that only one of these signals is high at any given time.

### RUN/STOP

The RUN/STOP circuit consists of an R-S flip-flop and gating to establish the stop condition. The RUN/STOP flip-flop exercises control over PRDY as described above through its Q output. The gating insures that a STOP will occur when D05, Q2 and PSYNC are true and the STOP switch is depressed.

### SS

The Single Step circuit consists of a dual single shot (IC M) for debounce and the SGL STP flip-flop (R-S type). When the machine is in a stopped mode, depressing the SS switch will set the SGL STP flip-flop. (The machine must be stopped for any of the front panel switches except RESET to be active.) This allows PRDY to go high. The machine will execute one machine cycle and PSYNC, on the next cycle, will reset the SGL STP flip-flop. This will pull PRDY low, stopping the machine.

### EXM

The Examine circuit consists of a dual single shot (IC L) for debounce, a 2-bit counter (IC J), the top 3 sets of 7405's on schematic 880-106 (IC's A, B, C and 2 gates of D), and some gating.

\* In this notation, + means or.

When the Examine switch is depressed the counter (IC J) is started. On the first count, a jump instruction (JMP 303) is strobed directly onto the bi-directional data bus at the processor. This is accomplished by enabling 2 gates of IC C and 2 gates of IC D through the output pin 6 of one gate of IC T. These open collector gates then pull down data lines D2, D3, D4 and D5. This puts a 303 on the data bus, which is the code for a JMP.

On the second count, the settings of switches SA 0 through SA 7 are strobed onto the data bus in a similar manner to the JMP instruction through IC A and 2 gates of B. This provides the first byte of the JMP address.

The third count strobes the settings for switches SA 8 through SA 15 onto the bus. This provides the second byte of the JMP address. The processor will then execute the JMP to the location set on the switches SA 0 through SA 15, allowing the examination of the contents of that particular memory location.

The fourth count resets the counter and pulls the EXM line low, which in turn pulls PRDY low and stops the processor.

#### EXM NXT

Examine Next operates in the same manner as Examine, except a NOP is strobed onto the data lines through 4 gates of IC D and 4 gates of IC E. This causes the processor to step the program counter.

#### DEP

The Deposit circuit places a write pulse on the MWRITE line and enables the switches SA 0 through SA 7. This causes the contents of these eight switches to be stored in the memory location currently addressed.

#### DEP NXT

The Deposit Next circuit simply causes a sequential operation of the EXM NXT and the DEP circuits.

## 1K STATIC MEMORY BOARD OPERATION

The 8800 1K Static Memory Board is designed around the Intel 8101 256 X 4 bit static RAM. Two of these RAM's provide 256 8-bit bytes of memory. The board may be configured with a minimum of two 8101's (256 bytes) and may be expanded in increments of 256 bytes by adding pairs of 8101's up to 1024 bytes.

In addition to the RAM's, the board includes 4 circuit units: Address Decoding, Processor Slow Down Circuit, Memory Protect Circuit and Buffers and Buffer Disabling Gating.

Refer to the following schematics for the 1K Static Memory Board operation: 880-107 & 880-108.

### ADDRESS DECODING

The address decoding circuitry is in the lower left corner of schematic 880-107. Address bits A10 through A15 are used to select a particular 1K of memory, using IC A and IC B. By patching the inputs of IC B to either the "1" or "0" address inputs for A10 through A15 a board can be assigned any address for a 1K block from 0 to 63.

Address bits A9 and A8 are used to select a particular 256 bytes within the 1K on the board. The gating (IC D, IC F, 2 gates of IC C and 4 gates of IC E) forms a standard 2 to 4 line decoder.

### PROCESSOR SLOW DOWN CIRCUIT

Since the 8101 RAM's require 850 nanoseconds for stable data on a read output, it is necessary to insert 2 wait cycles (1us) when the processor reads data from memory.

This is accomplished by IC K, 2 gates of IC N and 1 gate of IC C. This circuit causes the output from pin 8 of IC K to go low for approximately 2 clock cycles starting with PSYNC. If the 1K card has been addressed, and the processor is in a memory read cycle, two of the drivers of IC H will be enabled. This will transmit the low from IC K pin 8 to PRDY on the bus; which will in turn cause the processor to wait for 1us for the data from memory to stabilize.

## MEMORY PROTECT CIRCUIT

The Memory Protect circuit consists of an R-S flip-flop (IC L) which can be set or reset by the PROT and UNPROT lines from the system bus when the card is addressed (CE is true).

When the flip-flop is set the pin 11 output of IC N is disabled and MWRITE pulses from the bus cannot get to the 8101's. A status signal,  $\overline{PS}$ , is returned to the front panel display via the system bus to indicate when the protect flip-flop for a particular memory card is set.

## BUFFERS

The output drivers on the 1K board are 8T97 tri-state drivers (IC's J & H). Gating for enabling and disabling these drivers is accomplished with IC G and 1 gate of IC C.

The logic for this is as follows: \*

$$\overline{G2} = \overline{SINP} + \overline{SOUT} + \overline{CE}$$

OR

$$G2 = \overline{SINP} \bullet \overline{SOUT} \bullet CE$$

AND

$$\overline{G1} = \overline{SMEMR} + \overline{CE}$$

OR

$$G1 = \overline{SMEMR} \bullet CE$$

\* In this notation + means "or" and  $\bullet$  means "and".



## POWER SUPPLY OPERATION

The 8800 Power Supply provides two +8 and + & - 16 volts to the system bus and the display/control board. These voltages are unregulated until they reach the individual cards. Each separate card has all the necessary regulation for its own operation.

Refer to schematic 880-109 for the Power Supply operation.

Transformer T1 provides +8 volts unregulated to the system bus. This voltage is rated at 8 Amps. All boards except the display/control board use this supply for their regulated +5 volts.

Transformer T2 provides two unregulated voltages; +8 volts rated at 1 Amp for the display/control board, and +16 rated at .8 Amps to the system bus.

Transformer T3 provides the -16 volt supply rated at .3 Amps to the system bus.

All of the AC and DC voltages are wired to a terminal block for distribution to the other boards.

## 8800 SYSTEM BUS STRUCTURE

The 8800 system bus structure consists of 100 lines. These are arranged 50 on each side of the plug-in boards. Refer to drawing # 880-110 for the following explanation.

The following general rules apply to the 8800 system bus:

SYMBOLS: "P" prefix indicates a processor command/control signal

"S" prefix indicates a processor status signal

LOADING: All inputs to a card will be loaded with a maximum of 1 TTL low power load.

LEVELS: All bus signals except the power supply are TTL

### BUS DEFINITION

<u>No.</u>	<u>SYMBOL</u>	<u>NAME</u>	<u>FUNCTION</u>
1	+8V	+8 volts	Unregulated input to 5v regulators
2	+16V	+16 volts	Positive unregulated voltage
3	XRDY <i>ASSET HIGH</i>	External Ready	For special applications: Pulling this line low will cause the processor to enter a WAIT state and allows the status of the normal Ready line (PRDY) to be examined
4	VI0 <i>A S S</i>	Vectored Interrupt Line #0	
5	VI1 <i>L S T</i>	Vectored Interrupt Line #1	
6	VI2 <i>L S E</i>	Vectored Interrupt Line #2	
7	VI3	Vectored Interrupt Line #3	
8	VI4	Vectored Interrupt Line #4	

## BUS DEFINITION

<u>No.</u>	<u>SYMBOL</u>	<u>NAME</u>	<u>FUNCTION</u>
f 9	VI5 <i>ASSL</i>	Vectored Interrupt Line #5	
f 10	VI6 <i>ASSL</i>	Vectored Interrupt Line #6	
f 11	VI7 <i>LOW</i>	Vectored Interrupt Line #7	
12 to 17	TO BE DIFINED		
f 18	<u>STA DSB</u>	<u>STATUS DISABLE</u>	Allows the buffers for the 8 status lines to be tri-stated
f 19	<u>C/C DSB</u>	<u>COMMAND/CONTROL DISABLE</u>	Allows the buffers for the 6 output command/control lines to be tri-stated
f 20	UNPROT	UNPROTECT	Input to the memory protect flip-flop on a given memory board
f 21	SS	SINGLE STEP	Indicates that the machine is in the process of performing a single step
f 22	<u>ADD DSB</u>	<u>ADDRESS DISABLE</u>	Allows the buffers for the 16 address lines to be tri-stated
f 23	<u>DC DSB</u>	<u>DATA OUT DISABLE</u>	Allows the buffers for the 8 data output lines to be tri-stated
f 24	Q2	Phase 2 Clock	
f 25	Q1	Phase 1 Clock	
f 26	PHLDA	Hold Acknowledge	Processor command/control output signal which appears in response to the HOLD signal; indicates that the data and address bus will go to the high impedance state

BUS DEFINITION

<u>No.</u>	<u>SYMBOL</u>	<u>NAME</u>	<u>FUNCTION</u>
27	PWAIT	WAIT	Processor command/control output signal which acknowledges that the processor is in a WAIT state
28	PINTE	INTERRUPT ENABLE	Processor command/control output signal indicating interrupts are enabled: indicates the content of the CPU internal interrupt flip-flop; F-F may be set or reset by EI and DI instruction and inhibits interrupts from being accepted by the CPU if it is reset
29	A5	Address Line #5	
30	A4	Address Line #4	
31	A3	Address Line #3	
32	A15	Address Line #15	
33	A12	Address Line #12	
34	A9	Address Line #9	
35	D01	Data Out Line #1	
36	D00	Data Out Line #0	
37	A10	Address Line #10	
38	D04	Data Out Line #4	
39	D05	Data Out Line #5	
40	D06	Data Out Line #6	
41	DI2	Data In Line #2	
42	DI3	Data In Line #3	
43	DI7	Data In Line #7	

## BUS DEFINITION

<u>No.</u>	<u>SYMBOL</u>	<u>NAME</u>	<u>FUNCTION</u>
44	SM1	M1	Status output signal that indicates that the processor is in the fetch cycle for the first byte of an instruction
45	SOUT	OUT	Status output signal which indicates that the address bus contains the address of an output device and the data bus will contain the output data when PWR is active
46	SINP	INP	Status output signal which indicates that the address bus contains the address of an input device and the input data should be placed on the data bus when PDBIN is active
47	SMEMR	MEMR	Status output signal which indicates that the data bus will be used for memory read data
48	SHLTA	HLTA	Status output signal which acknowledges a HALT instruction
49	<u>CLOCK</u>	<u>CLOCK</u>	Inverted output of the 2MHz oscillator that generates the 2 phase clock
50	GND	GROUND	
51	+8V	+8 volts	Unregulated input to 5v regulators
52	-16V	-16 volts	Negative unregulated voltage
53	<u>SSW DSB</u>	<u>SENSE SWITCH DISABLE</u>	Disables the data input buffers so the input from the sense switches may be strobed onto the bidirectional data bus right at the processor
54	<u>EXT CLR</u>	<u>EXTERNAL CLEAR</u>	Clear signal for I/O devices (front panel switch closure to ground)

## BUS DEFINITION

<u>No.</u>	<u>SYMBOL</u>	<u>NAME</u>	<u>FUNCTION</u>
55 to 67	TO BE DEFINED		
↓↑ 68	MWRT	MEMORY WRITE	Indicates that the current data on the Data Out Bus is to be written into the memory location currently on the address bus
69	$\overline{PS}$	$\overline{PROTECT\ STATUS}$	Indicates the status of the memory protect flip-flop on the memory board currently addressed
↑ 70	PROT	PROTECT	Input to the memory protect flip-flop on the memory board currently addressed
↑ 71	RUN	RUN	Indicates that the RUN/STOP flip-flop is Reset
↕↑ 72	PRDY	READY	Processor command/control input that controls the run state of the processor; if the line is pulled low the processor will enter a wait state until the line is released
↑ 73	$\overline{PINT}$	$\overline{INTERRUPT\ REQUEST}$	The processor recognizes an interrupt request on this line at the end of the current instruction or while halted. If the processor is in the HOLD state or the Interrupt Enable flip-flop is reset, it will not honor the request.
74	$\overline{PHOLD}$	$\overline{HOLD}$	Processor command/control input signal which requests the processor to enter the HOLD state; allows an external device to gain control of address and data buses as soon as the processor has completed its use of these buses for the current machine cycle

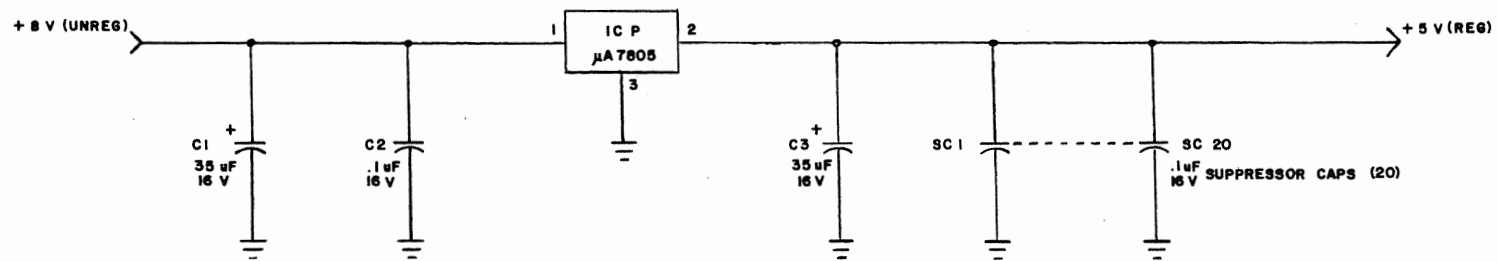
## BUS DEFINITION

<u>No.</u>	<u>SYMBOL</u>	<u>NAME</u>	<u>FUNCTION</u>
75	$\overline{\text{PRESET}}$	$\overline{\text{RESET}}$	Processor command/control input; while activated the content of the program counter is cleared and the instruction register is set to 0
76	PSYNC	SYNC	Processor command/control output provides a signal to indicate the beginning of each machine cycle
77	$\overline{\text{PWR}}$	$\overline{\text{WRITE}}$	Processor command/control output used for memory write or I/O output control: data on the data bus is stable while the $\overline{\text{PWR}}$ is active
78	PDBIN	DATA BUS IN	Processor command/control output signal indicates to external circuits that the data bus is in the input mode
79	A0	Address Line #0	
80	A1	Address Line #1	
81	A2	Address Line #2	
82	A6	Address Line #6	
83	A7	Address Line #7	
84	A8	Address Line #8	
85	A13	Address Line #13	
86	A14	Address Line #14	
87	A11	Address Line #11	
88	D02	Data Out Line #2	
89	D03	Data Out Line #3	
90	D07	Data Out Line #7	
91	D14	Data In Line #4	

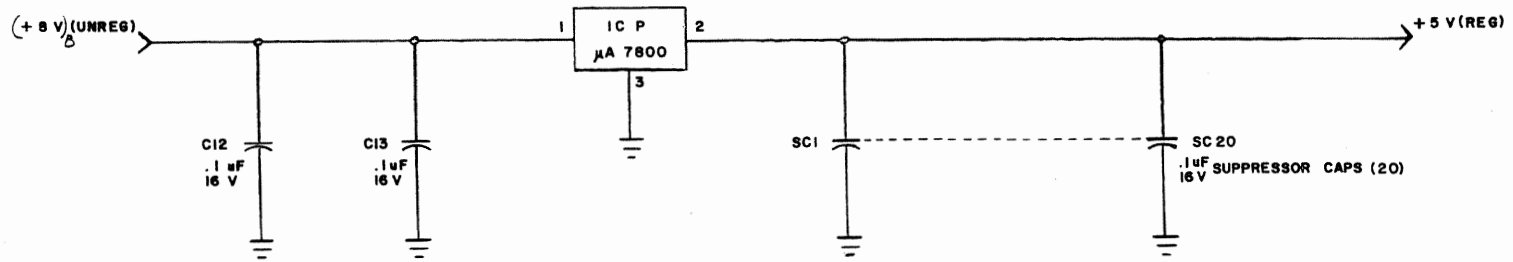
## BUS DEFINITION

<u>No.</u>	<u>SYMBOL</u>	<u>NAME</u>	<u>FUNCTION</u>
92	DI5	Data In Line #5	
93	DI6	Data In Line #6	
94	DI1	Data In Line #1	
95	DIO	Data In Line #0	
96	SINTA	INTA	Status output signal to acknowledge signal for INTERRUPT request
97	SWO	WO	Status output signal indicates that the operation in the current machine cycle will be a WRITE memory or output function
98	SSTACK	STACK	Status output signal indicates that the address bus holds the pushdown stack address from the Stack Pointer
99	$\overline{\text{POC}}$	Power-On Clear	
100	GND	GROUND	

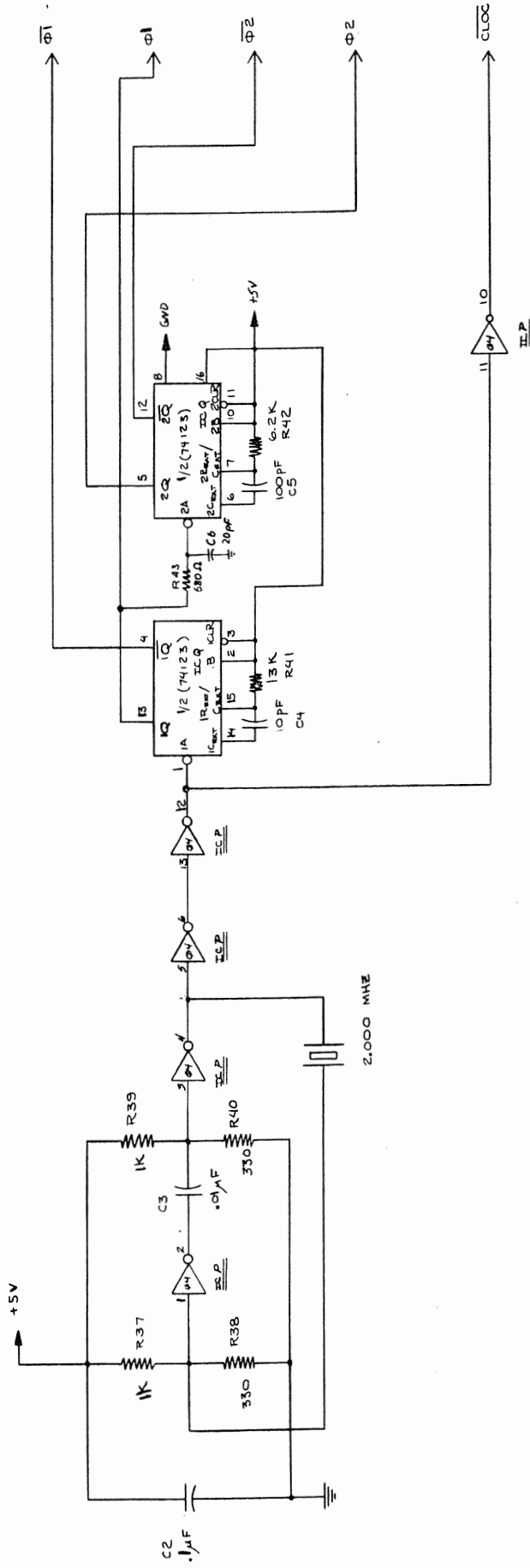




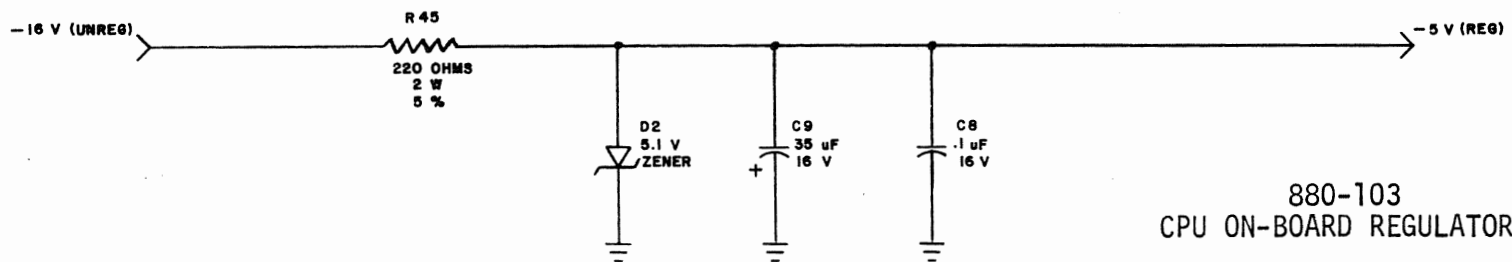
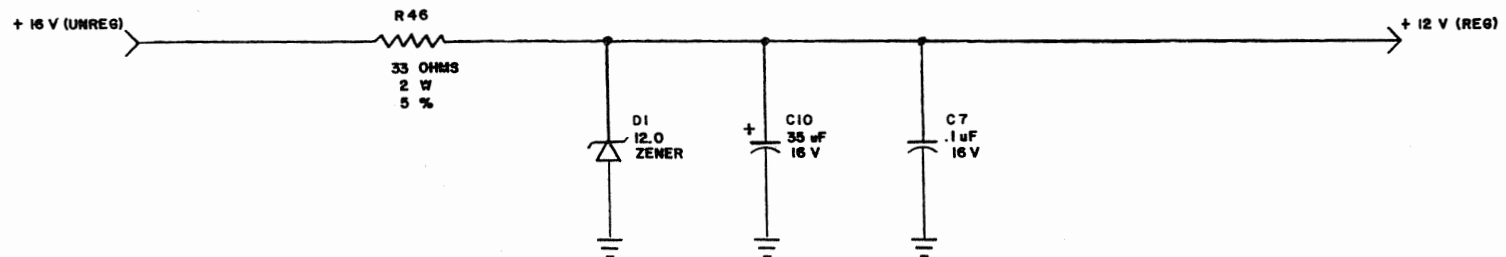
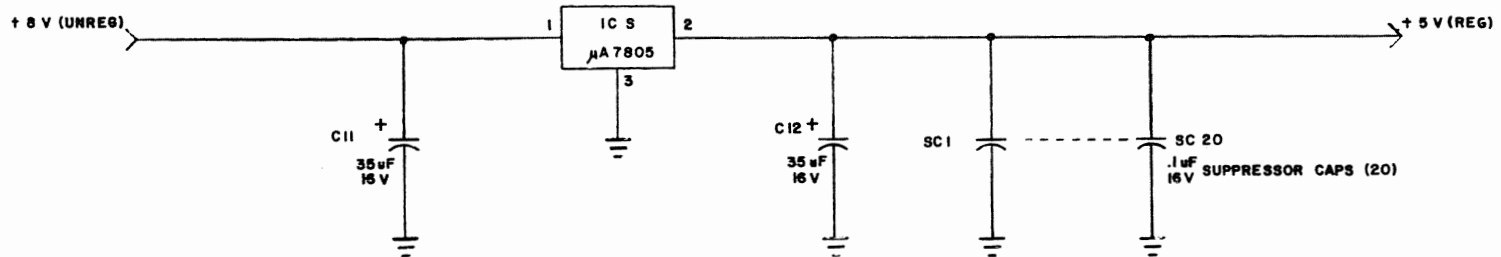
880-108  
1K STATIC MEMORY ON-BOARD REGULATOR



880-104  
DISPLAY/CONTROL ON-BOARD REGULATOR



880-102  
SYSTEM CLOCK



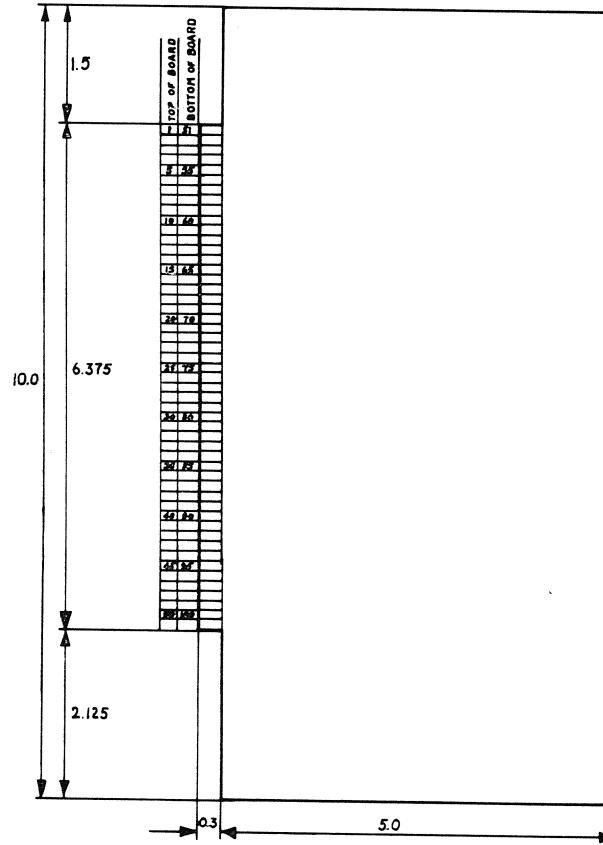
880-103  
 CPU ON-BOARD REGULATORS

TOP OF BOARD

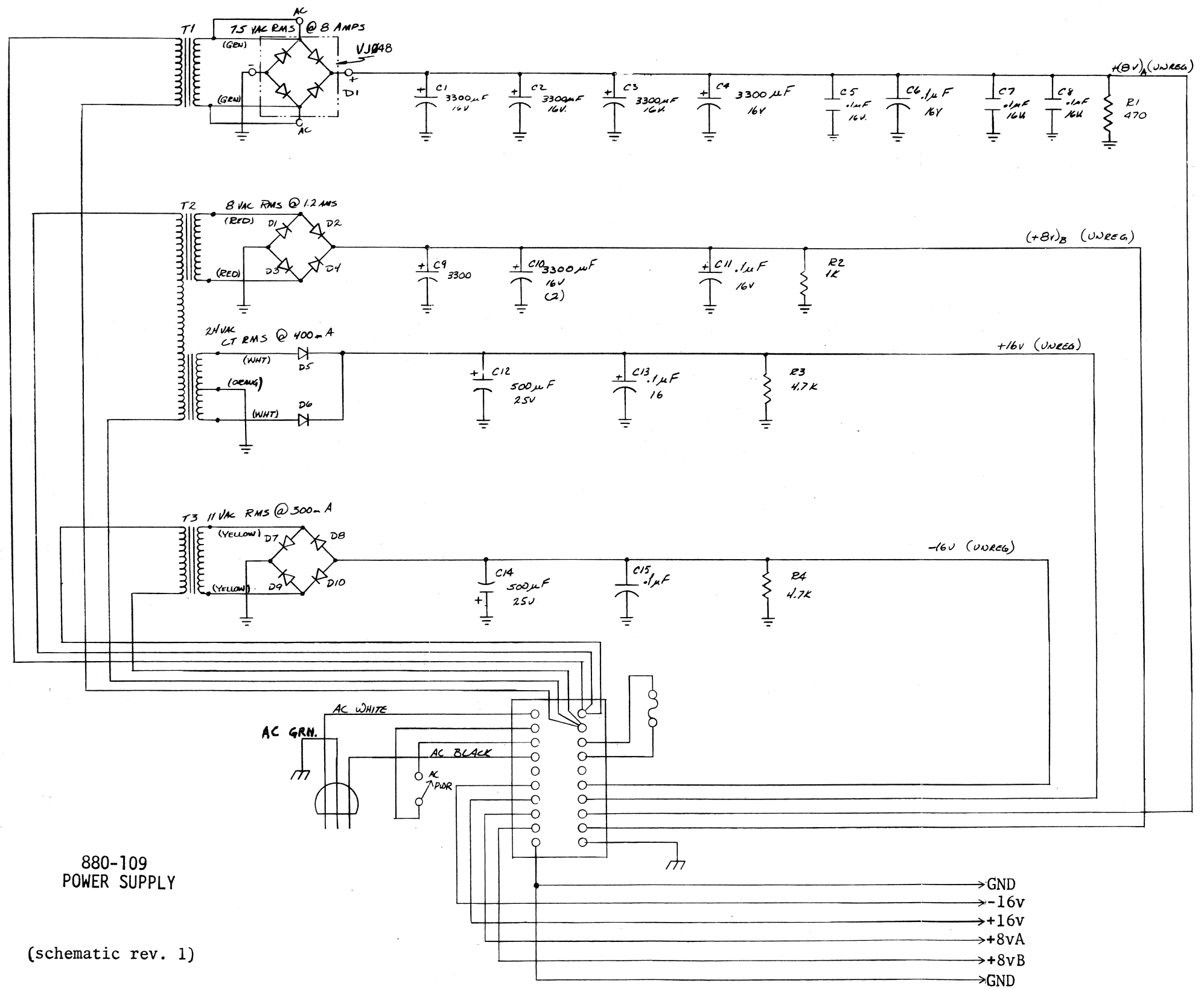
BOTTOM OF BOARD

1	+5 V
2	+15 V
3	XRDY
4	VI 4
5	VI 1
6	VI 2
7	VI 3
8	VI 4
9	VI 5
10	VI 6
11	VI 7
12	
13	
14	
15	
16	
17	
18	STAY DISABLE
19	CIC DISABLE
20	UNPROTECT
21	SS
22	ADDS DSR
23	DS DSR
24	Ø 2
25	Ø 1
26	PHLDA
27	PWAIT
28	PINTE
29	A 5
30	A 4
31	A 3
32	A 15
33	A 12
34	A 9
35	DD 1
36	DD 8
37	A 10
38	DD 4
39	DD 7
40	DD 6
41	DI 2
42	DI 3
43	DI 7
44	SM 1
45	SQUT
46	SINP
47	SMEMR
48	SHTA
49	CLOCK (2 MHz)
50	GND

51	+5 V	A
52	-15 V	R
53	SSW DSR	C
54	EXT CLR	D
55		E
56		F
57		H
58		J
59		K
60		L
61		M
62		N
63		P
64		R
65		S
66		T
67		U
68	MWRITE	V
69	PS	W
70	PROTECT	X
71	RUN	Y
72	PRDY	Z
73	PRINT	a
74	PRODM	b
75	PRESET	c
76	PSYNC	d
77	PSWR	e
78	PRODM	f
79	A 4	h
80	A 1	j
81	A 2	k
82	A 6	l
83	A 7	m
84	A 8	n
85	A 13	p
86	A 14	q
87	A 11	r
88	DD 2	t
89	DD 3	u
90	DD 7	v
91	DI 4	w
92	DI 5	x
93	DI 6	y
94	DI 1	z
95	DI 8	AA
96	SHTA	AB
97	SW 0	AC
98	SSTACK	AD
99	ENC	AE
100	GND	AF

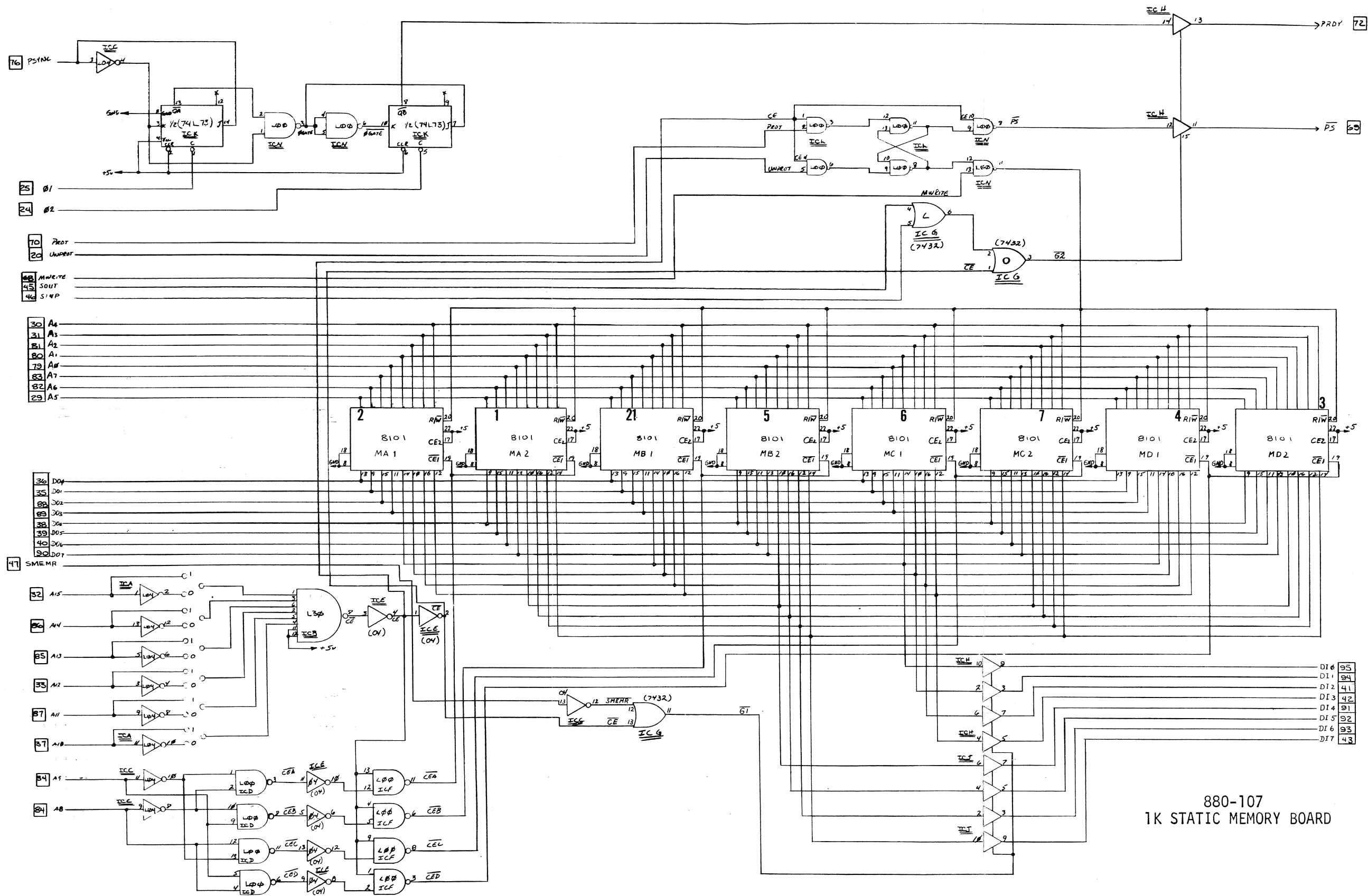


880-110  
SYSTEM BUS STRUCTURE



880-109  
POWER SUPPLY

(schematic rev. 1)

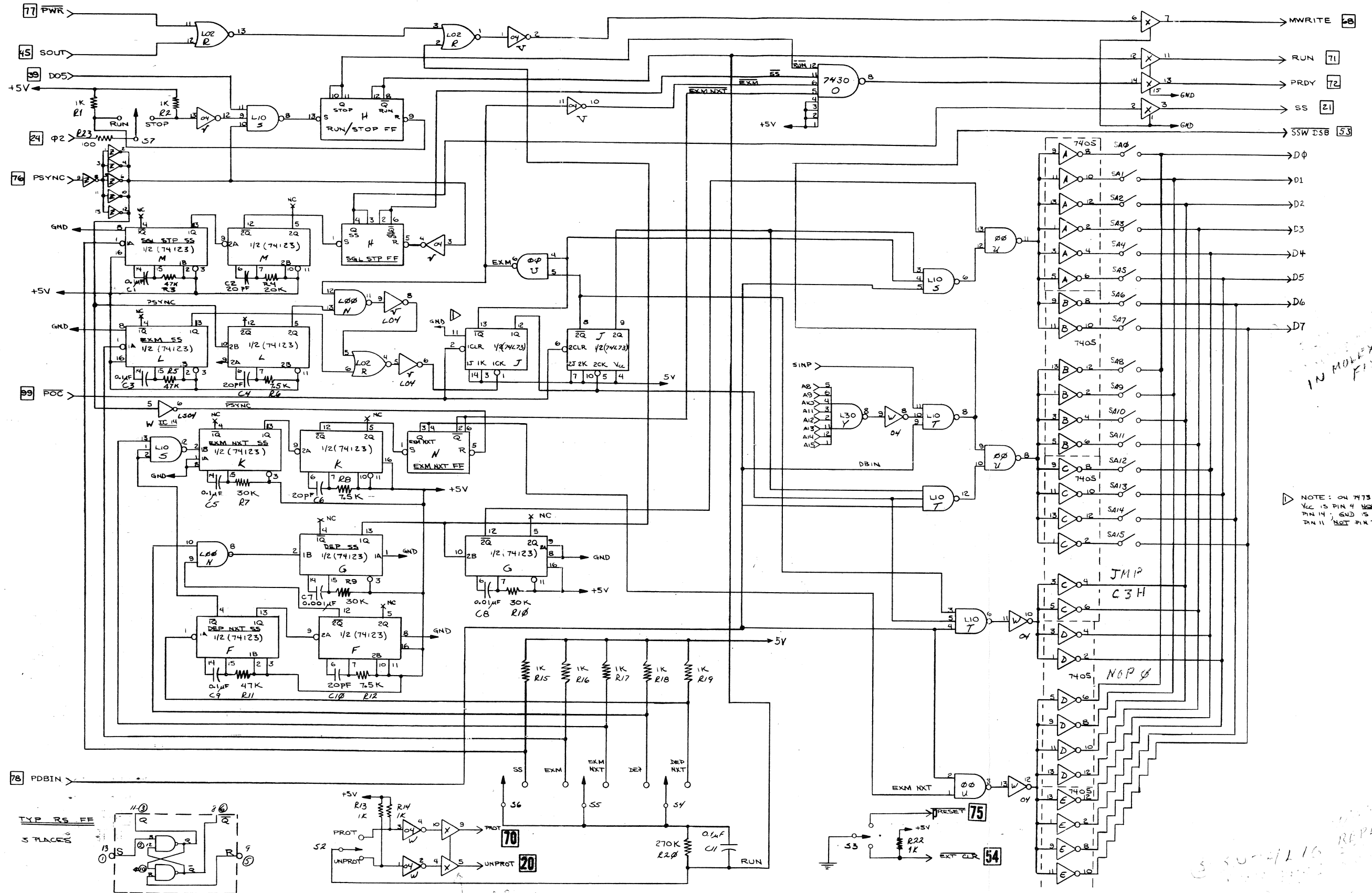


880-107  
1K STATIC MEMORY BOARD

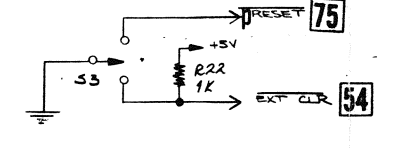
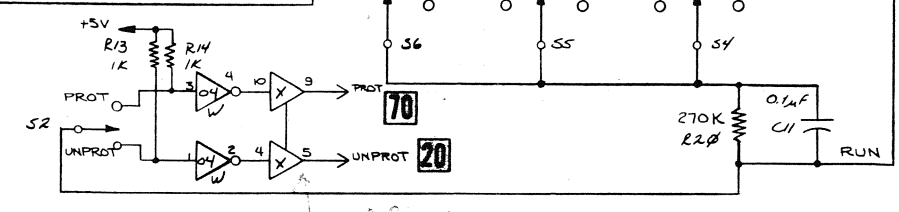
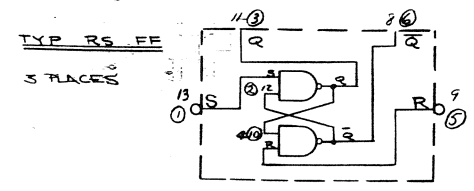




# 880-106 COMPUTER FRONT PANEL CONTROL



IN MOLLY  
 FIXED  
 NOTE: ON 7430  
 PIN 15 PIN 4  
 PIN 14 GND  
 PIN 11 NOT PIN 7



Add all  
 components

15/12  
 SAME  
 OTHER THINGS WORK

880-105  
COMPUTER FRONT PANEL DISPLAY

